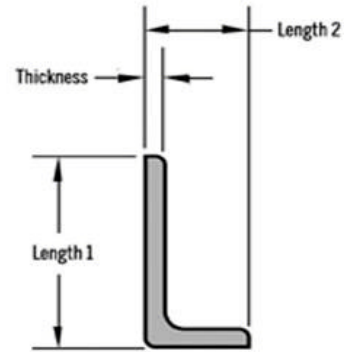
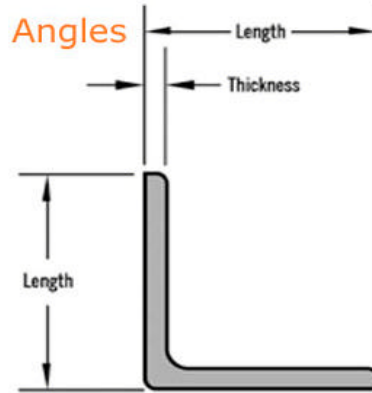


BAR ANGLES

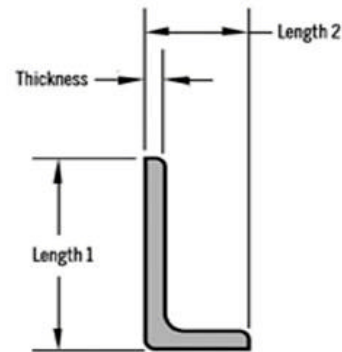
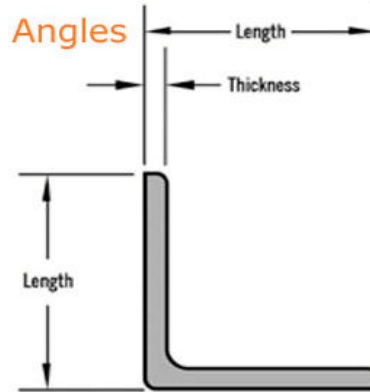
Size (inches)	Lbs per ft.
1/2 x 1/2 x 1/8	0.38
5/8 x 5/8 x 1/8	0.48
3/4 x 3/4 x 1/8	0.59
1 x 1 x 1/8	0.80
x 3/16	1.16
x 1/4	1.49
1-1/4 x 1-1/4 x 1/8	1.01
x 3/16	1.48
x 1/4	1.92
1-1/2 x 1-1/2 x 1/8	1.23
x 3/16	1.80
x 1/4	2.34
1-3/4 x 1-3/4 x 1/8	1.44
x 3/16	2.12
x 1/4	2.77
2 x 1-1/2 x 1/8	1.44
x 3/16	2.12
x 1/4	2.77
2 x 2 x 1/8	1.65
x 3/16	2.44
x 1/4	3.19
2 x 2 x 5/16	3.92
x 3/8	4.70
2-1/2 x 1-1/2 x 3/16	2.44
x 1/4	3.19
x 5/16	3.92
2-1/2 x 2 x 3/16	2.75
x 1/4	3.62
x 5/16	4.50
x 3/8	5.30
2-1/2 x 2-1/2 x 3/16	3.07
x 1/4	4.10
x 5/16	5.00
x 3/8	5.90
x 1/2	7.70



* Information provided for reference only. Not intended for engineering calculation. Please consult your engineer for product suitability for application. No warranty as to accuracy.

STRUCTURAL ANGLES

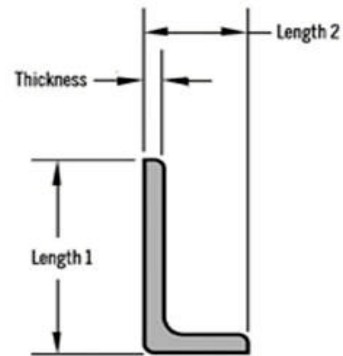
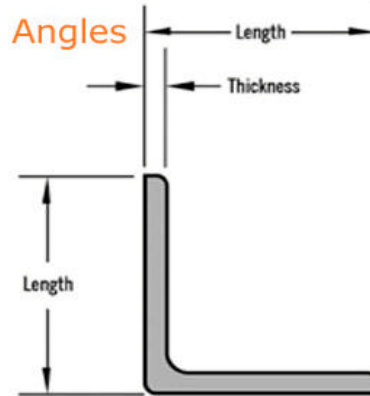
Size (inches)	Lbs per ft.
3 x 2 x 3/16	3.10
x 1/4	4.10
x 5/16	5.00
x 3/8	5.90
x 1/2	7.70
3 x 2 1/2 x 3/16	3.39
x 1/4	4.50
x 5/16	5.60
x 3/8	6.60
3 x 3 x 3/16	3.70
x 1/4	4.90
x 5/16	6.10
x 3/8	7.20
x 1/2	9.40
3 1/2 x 2 1/2 x 1/4	4.90
x 5/16	6.10
x 3/8	7.20
x 1/2	9.40
3 1/2 x 3 x 1/4	5.40
x 5/16	6.60
x 3/8	7.90
x 1/2	10.20
3 1/2 x 3 1/2 x 1/4	5.80
x 5/16	7.20
x 3/8	8.50
x 1/2	11.10
4 x 3 x 1/4	5.80
x 5/16	7.20
x 3/8	8.50
x 1/2	11.10
4 x 3 1/2 x 1/4	6.20
x 5/16	7.70
x 3/8	9.10
x 1/2	11.90
4 x 4 x 1/4	6.60
x 5/16	8.20
x 3/8	9.80
x 1/2	12.80
x 5/8	15.70
x 3/4	18.50



* Information provided for reference only. Not intended for engineering calculation. Please consult your engineer for product suitability for application. No warranty as to accuracy.

STRUCTURAL ANGLES

Size (inches)	Lbs per ft.
5 x 3 x 1/4	6.60
x 5/16	8.20
x 3/8	9.80
x 1/2	12.80
5 x 3 1/2 x 1/4	7.00
x 5/16	8.70
x 3/8	10.40
x 1/2	13.60
x 5/8	16.80
x 3/4	19.80
5 x 5 x 5/16	10.30
x 3/8	12.30
x 1/2	16.20
x 5/8	20.00
x 3/4	23.60
6 x 3 1/2 x 5/16	9.80
x 3/8	11.70
x 1/2	15.30
6 x 4 x 5/16	10.30
x 3/8	12.30
x 1/2	16.20
x 5/8	20.00
x 3/4	23.60
6 x 6 x 5/16	12.40
x 3/8	14.90
x 1/2	19.60
6 x 6 x 5/8	24.20
x 3/4	28.70
x 1	37.40
7 x 4 x 3/8	13.60
x 1/2	17.90
x 3/4	26.20
8 x 4 x 1/2	19.60
x 3/4	28.70
x 1	37.40
8 x 6 x 1/2	23.00
x 3/4	33.80
x 1	44.20
8 x 8 x 1/2	26.40
x 3/4	38.90
x 1	51.00
x 1 1/8	56.90



* Information provided for reference only. Not intended for engineering calculation. Please consult your engineer for product suitability for application. No warranty as to accuracy.